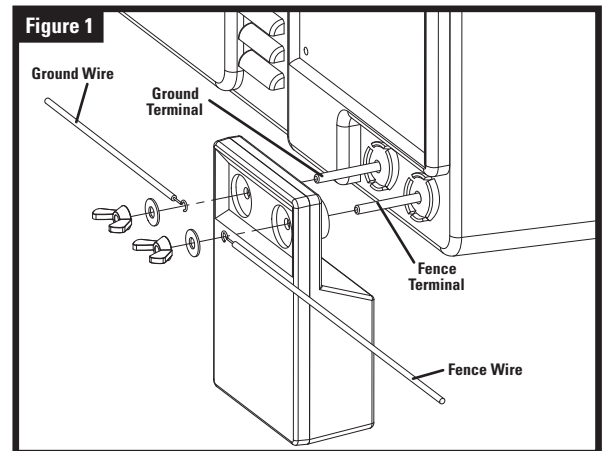


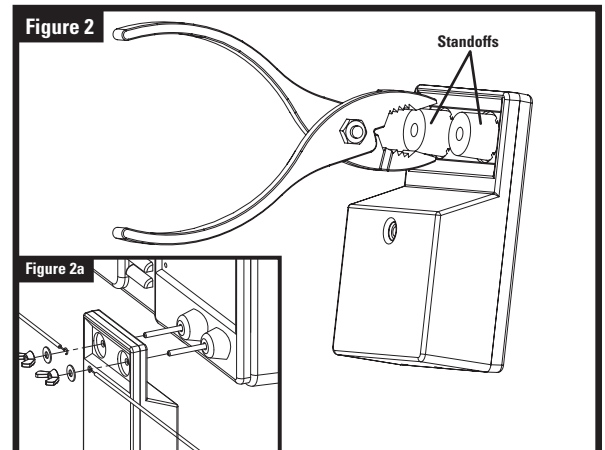
INSTALLATION INSTRUCTIONS



To install Storm Guard on newer Zareba models, first unplug the fence controller from the power source, then disconnect fence and ground wires from the fencer and slide the Storm Guard over the terminals of the fencer. Re-attach the fence and ground wires in front of the module. You will not need the extra wires or screws that are provided.



For any non-Zareba fence controllers, if necessary, break off the standoffs. Use a pliers and rock the standoffs back and forth until the plastic tabs break. For older Zareba models with raised cone-shaped fence terminals (Figure 2a), it will be necessary to break off the standoff on the Storm Guard.



To install Storm Guard on older Zareba models or any other fencer, first unplug the fence controller from the power source, then disconnect fence and ground wires from the electric fencer. Connect fence and ground wires, and two lead wires to the module with the provided screws and wing nuts. Now connect two lead wires to your fencer. Be sure to connect ground to ground and fence to fence.

